

9.27-09

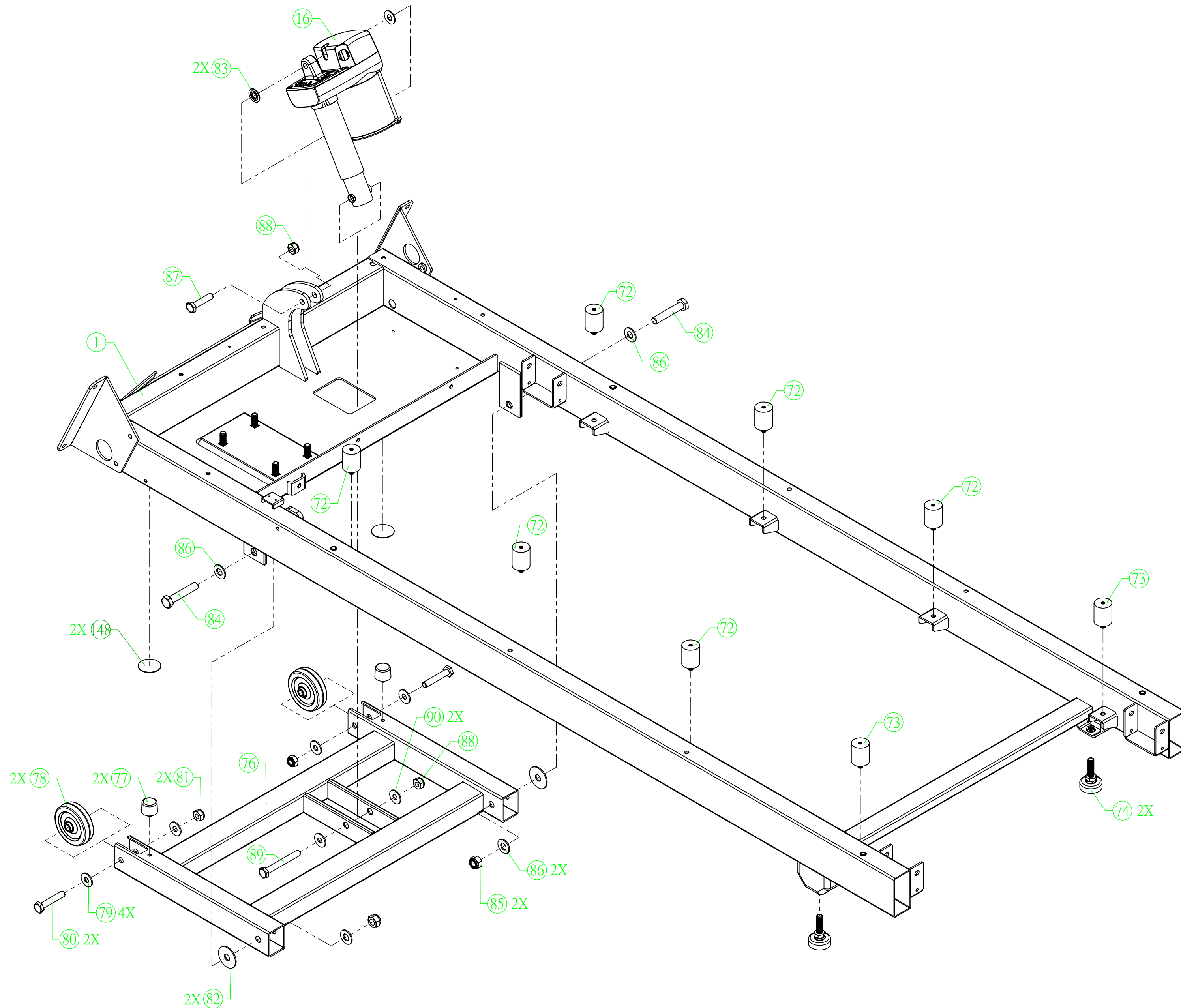
P/N : 300466-101

SUBREV : C

DRAWN BY : ALVIN

DATE : 02.09.09

SHEET 1 OF 8



9.27-09

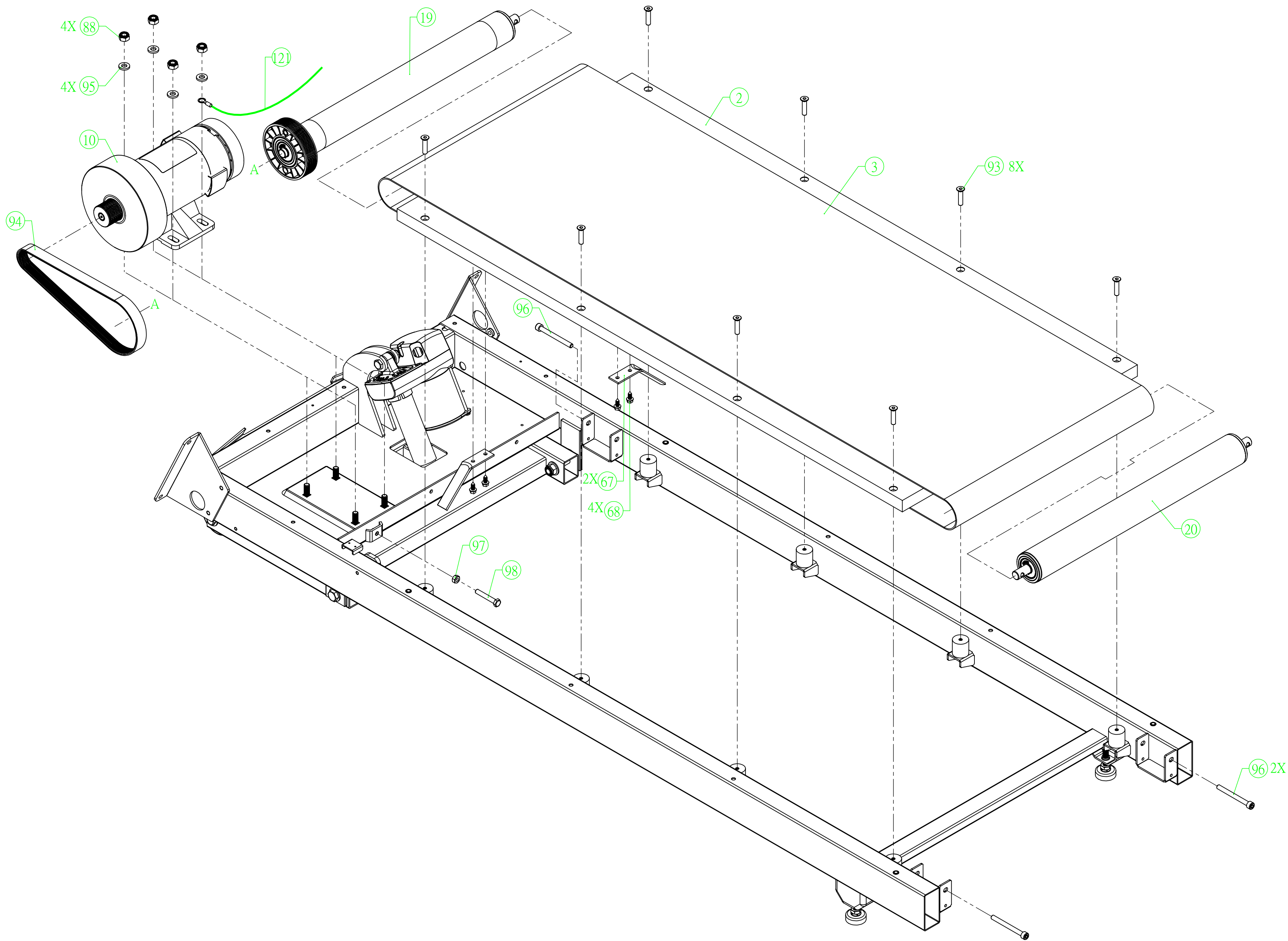
P/N : 300466-101

SUBREV : C

DRAWN BY : ALVIN

DATE : 02.09.09

SHEET 2 OF 8



9.27-09

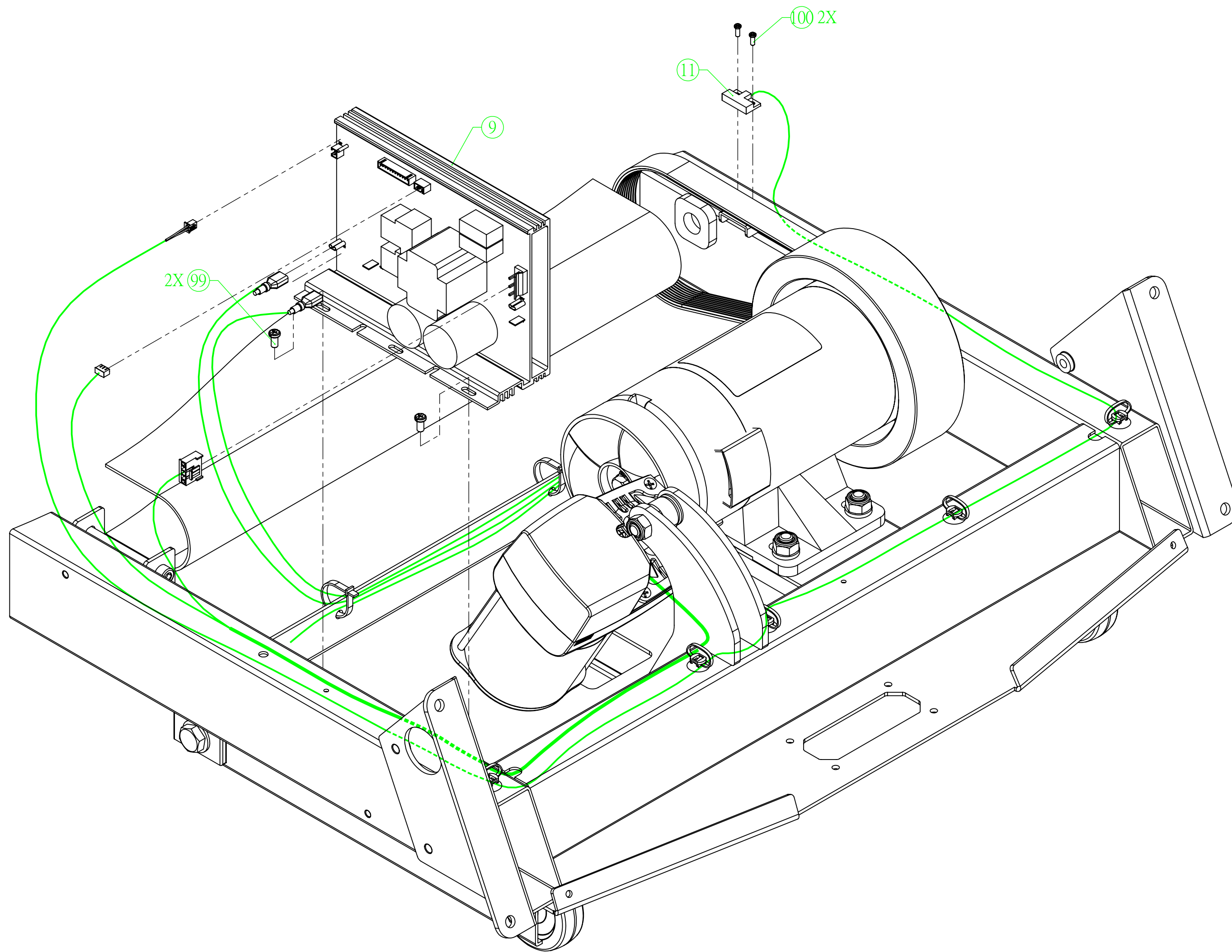
P/N : 300466-101

SUBREV : C

DRAWN BY : ALVIN

DATE : 02.09.09

SHEET 3 OF 8



9.27-09

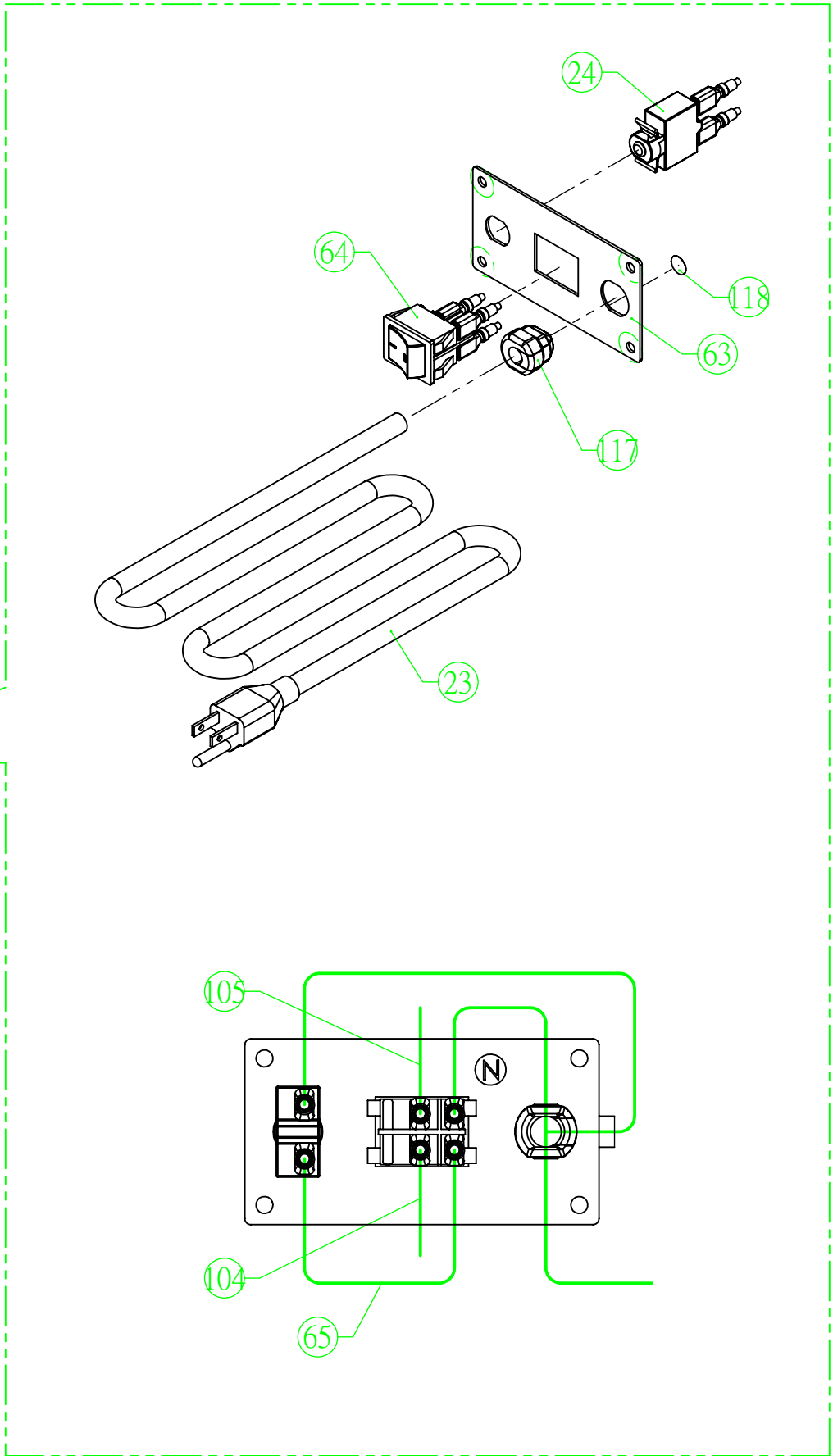
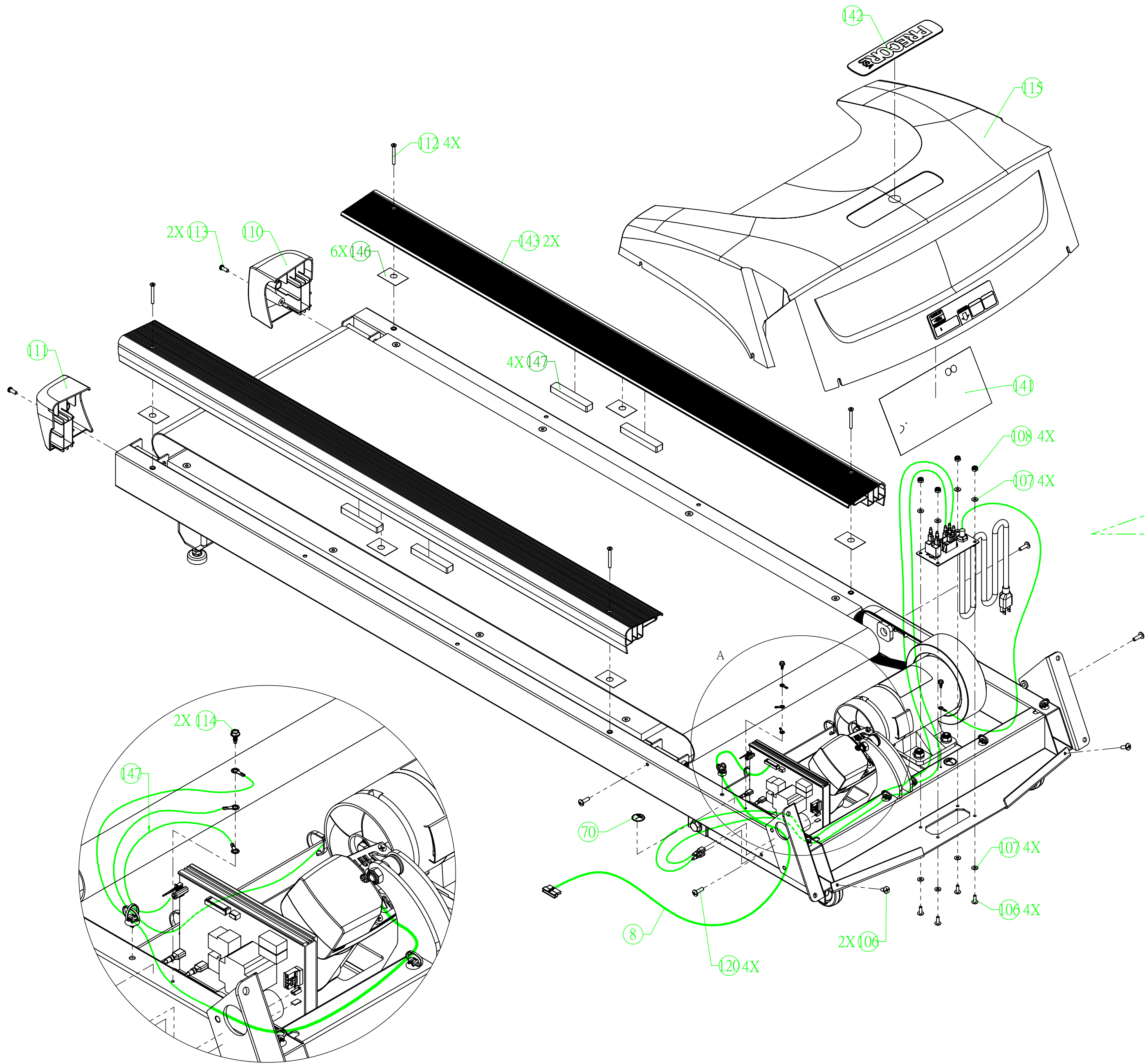
P/N : 300466-101

SUBREV : C

DRAWN BY : ALVIN

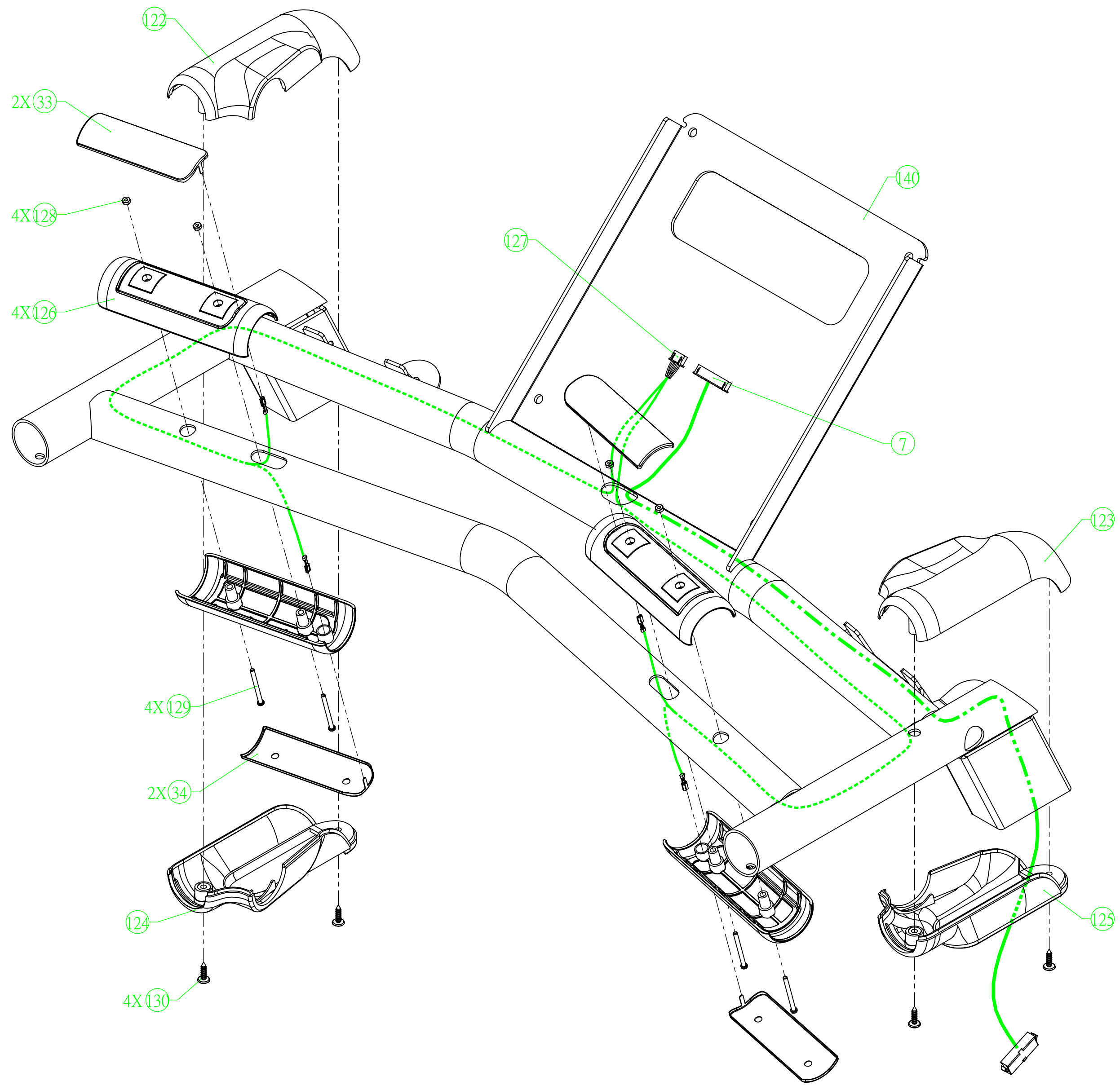
DATE : 02.09.09

SHEET 4 OF 8



細部放大圖 A
比例 1 : 3.5

9.27-09	P/N : 300466-101	SUBREV : C
DRAWN BY : ALVIN	DATE : 02.09.09	SHEET 5 OF 8



9.27-09

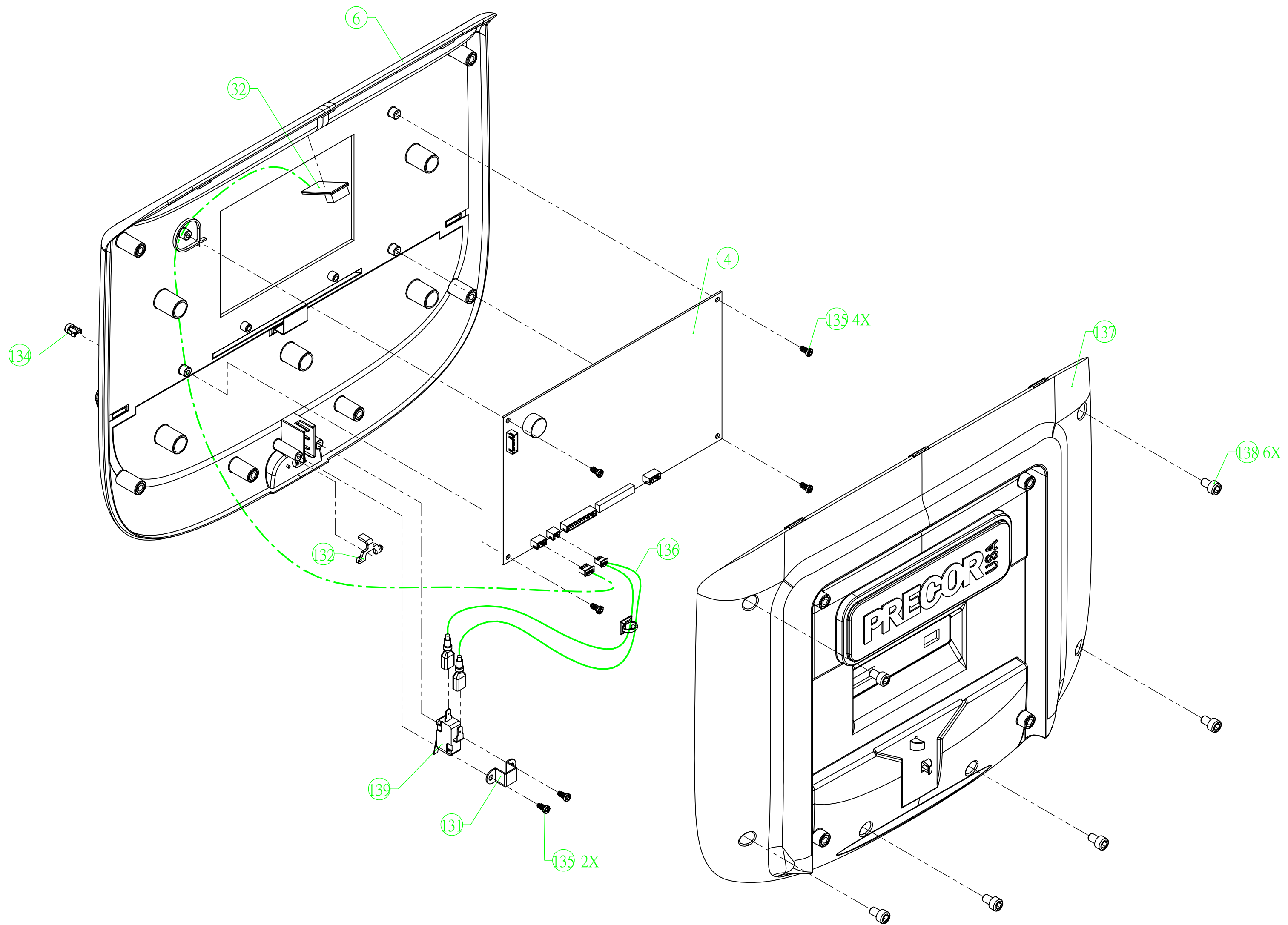
P/N : 300466-101

SUBREV : C

DRAWN BY : ALVIN

DATE : 02.09.09

SHEET 6 OF 8



9.27-09

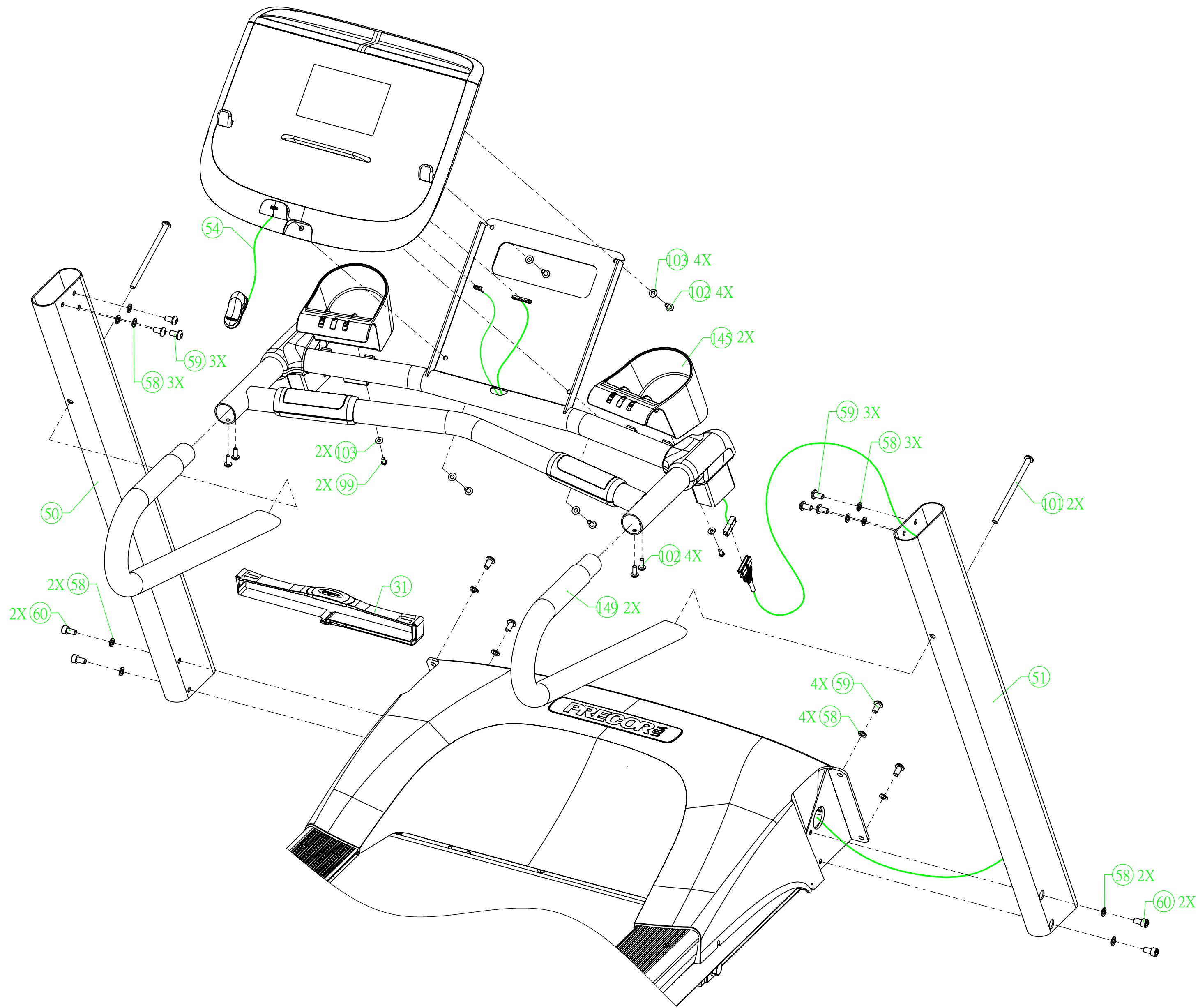
P/N : 300466-101

SUBREV : C

DRAWN BY : ALVIN

DATE : 02.09.09

SHEET 7 OF 8



9.27-09

P/N : 300466-101

SUBREV : C

DRAWN BY : ALVIN

DATE : 02.09.09

SHEET 8 OF 8

Bubble #	OEM Number	Description
56	PPP000000010186117	WRENCH, ALLEN 5MM
57	PPP000000010188101	WRENCH, ALLEN 6MM, T-HANDLE
58	PPP0000WBLJN008001	WASHER, FLAT, 14 X 8 X 1.6T, BEC
59	PPP00000TEJN008015	SCREW, BUT HD, M8 X 1.25 X 15L, BEC
60	PPP00000CEJN008015	SCREW, SOC HD CAP, M8 X 1.25 X 15L,
63	PPP0000AT022411101	POWER PLATE
64	PPP0000AT190006101	POWER SWITCH
65	PPP0000AT190043101	POWER CABLE, BLACK
66	PPP000000010123111	CABLE TIE, CV-075
67	PPP0000AT022175101	BELT TRACKER
68	PPP0000PAKCN006019	SCREW, TYPE AB, HEX HD, #6.4 X 19L,
70	PPP000000047897101	GROUND LABEL
71	PPP0000AT050591101	GFX CUSHION, BLACK
72	PPP0000AT050996101	GFX CUSHION RED (FOR 1 in. DECK)
73	PPP0000AT050997101	GFX CUSHION BLUE (FOR 1 in. DECK)
74	PPP000000035744101	FOOT, ADJUSTABLE
76	PPP0000AT041899101	WELDMENT, LIFT PLATFORM
77	PPP0000AT050648101	CUSHION, LIFT
78	PPP0000AT060638101	TRANSPORT WHEEL, LIFT
79	PPP00000WBJN010002	WASHER, SAE, 25 X 10 X 2.0, BEC
80	PPP00000HMJN010055	SCREW, HEX HD, M10 X 1.5 X 55L, BEC
81	PPP00000KFJN010010	LOCK NUT, NYLON, M10, BEC
82	PPP0000AT060642101	FLAT WASHER, PVC 40 X 12.5 X 2.0T
83	PPP0000AT060641101	FLAT WASHER, PVC, 24.5 X 10.5 X 1.5
84	PPP00000HMJN012065	SCREW, HEX HD, M12 X 1.75 X 65L, BE
85	PPP00000KFJN012012	LOCK NUT, NYLON, M12, BEC
86	PPP00000WBJN013002	WASHER, SAE, 26 X 13 X 2.0, BEC
87	PPP00000HMJN010045	SCREW, HEX HD, M10 X 1.5 X 45L, BEC
88	PPP00000KFJN010010	LOCK NUT, NYLON, M10, BEC
89	PPP00000HMJN010080	SCREW HEX HD, M10 X 1.5 X 80L, BEC
90	PPP00000WBJN010002	WASHER, SAE, 25 X 10 X 2.0, BEC
91	PPP000000010123114	CABLE TIE, (CV-120S)
92	PPP000000012540102	CABLE TIE ANCHOR (PHC-5)
93	PPP0000MAKJN008035	SCREW, FLAT HD, SOCKET, M8 X 1.25 X
94	PPP0000AT170001101	DRIVE BELT
95	PPP00000WCJN010003	WASHER, FLAT, 20 X 10 X 3.0T
96	PPP00000CEJN008080	SCREW, SOC HD CAP, M8 X 1.25 X 80L,
97	PPP0000KARJN008007	NUT, M8 X 1.25 X 6.5T
98	PPP00000HMJN008050	SCREW, HEX HD, M8 X 1.25 X 50L
99	PPP00000MMJN005010	SCREW, PAN HD, PHIL, M5 X .8 X 10L
100	PPP00000MMJN003008	SCREW, PAN HD, PHIL, M3 X .5 X 8L,
101	PPP00000TEJN008130	SCREW, BUT HD, M8 X 1.25 X 130L, BE
102	PPP00000TEJN006015	SCREW, BUT HD, M6 X 1.0 X 15L, BEC
103	PPP0000WBLJN006001	WASHER,FLAT,NARROW,6 X 13 X 1,STL,B
104	PPP0000AT190078101	POWER CABLE, WHITE
105	PPP0000AT190079101	POWER CABLE, BLACK

106	PPP0000TEJN005015	SCREW, BUT HD, M5X 0.8 X 15L
107	PPP0000WMJN005001	WASHER, SAE, 12X 5.2 X 1.0
108	PPP0000KFJN005005	LOCK NUT, NYLON, M5
110	PPP0000AT060815101	LEFT ENDCAP, BUILT PROIR TO 5/12/2013
111	PPP0000AT060816101	RIGHT ENDCAP, BUILT PRIOR TO 5/12/2013
112	PPP0000DKLN005045	SCREW, FLAT HD, ALLAN, M5 X 0.8 X 4
113	PPP0000MMJN006015	SCREW, PAN HD, PHIL, M6 X 1.5 X 15L
114	PPP0000PAHJN004013	SCREW, TEK, M4.7 X 13L, BEC
117	PPP0000AT060640101	WIRE CLIP, SR-7R1
118	PPP000000047896101	NEUTRAL LABEL
120	PPP0000TEJN006020	SCREW, BUT HD, PHIL, M6X 1.0 X 20L
121	PPP0000AT190015101	GROUND WIRE, MOTOR, CHI HUA
122	PPP0000AT060817101	TOP TARGA COVER LEFT
123	PPP0000AT060818101	TOP TARGA COVER RIGHT
124	PPP0000AT060819101	BOTTOM TARGA COVER LEFT
125	PPP0000AT060820101	BOTTOM TARGA COVER RIGHT
126	PPP0000AT060822101	HHR GRIP
127	PPP0000AT190044101	HHR, CONNECTING CABLE
128	PPP0000KARLN003002	HEX NUT, M3 X 0.5 X 2.4
129	PPP0000MMLN003035	SCREW,M3X35M,PHIL,NICKEL
130	PPP0000PAHJN004015	SCREW, TEK, M4.7 X 15L, BEC
131	PPP0000AT022413101	SWITCH LOCKING BRACKET
132	PPP0000AT022414101	MAGNET PLATE
133	PPP0000AT060826101	DISPLAY SWITCH BUTTON
134	PPP0000AT060825101	DISPLAY MAGAZINE HOOKS
135	PPP0000PAHJN004008	SCREW, TRS, PAN HD, PHIL, M4.2 X 8L
136	PPP0000AT190089101	EMERGENCY STOP SENSOR
137	PPP0000AT200211102	ASSY,DISPLAY,REAR,9.2X_2012
138	PPP0000CELN006010	SCREW, SOC HD ALLAN, M6 X 1.0 X 10L
139	PPP0000AT190088101	MICRO SWITCH/LIMIT SWITCH
140	PPP0000AT042149101	DISPLAY CROSSBAR WELDMENT, 9.27
141	PPP000000034509102	LABEL, WIRE DIAGRAM
142	PPP0000AT050864101	BADGE, HOOD
143	PPP0000AT200215101	DECK TRIM 9.27, BUILT PRIOR TO 5/12/201
144	PPP00ATDBI0014S101	M5 X 0.8MM, PEM, ZINK
145	PPP0000AT060821101	WATER BOTTLE SUPPORT
146	PPP0000AT060854101	SPACER, DECK TRIM, PC, 9.27
147	PPP0000AT060719101	SIDE TRIM, BUMPER 9.27
148	PPP0000AT100203101	PAD, NON-SKIP, ALTO 9.23-07, 9.27-0
149	PPP0000AT042150101	SIDEBAR WELDMENT, 9.27
210	PPP000000059077102	ASSY, DRIVE MOTOR SPARE PARTS, CHI
216	PPP0000AT190013101	MOTOR BRUSH, CHI HUA, MK
218	PPP0000AT190014101	MOTOR GROUND BRUSH, CHI HUA, MK
220	PPP000000057056101	CS KIT: 1 in. REPLACEMENT DECK W/ CUSH
999	PPP000000034515102	BAG, LITERATURE KIT & LANYARD